

0 1 2 3 4 5 6 7 8

A

B

C

D

E

F

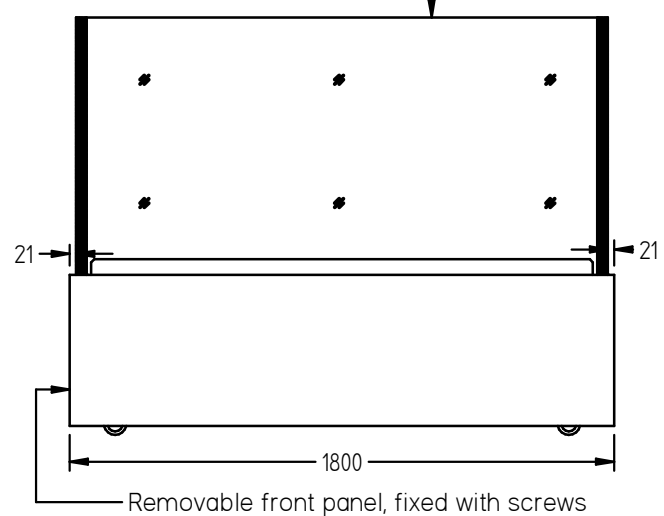
Top and front glass are mitre joined. 1 piece with heated film.

Upstand offers rear glass protection

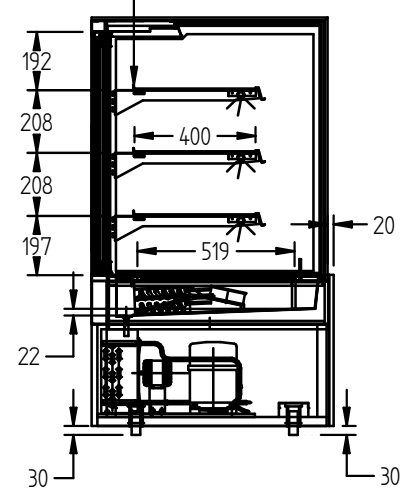
Heated door frame, 36V

Sliding door: 2-layer Low-E glass

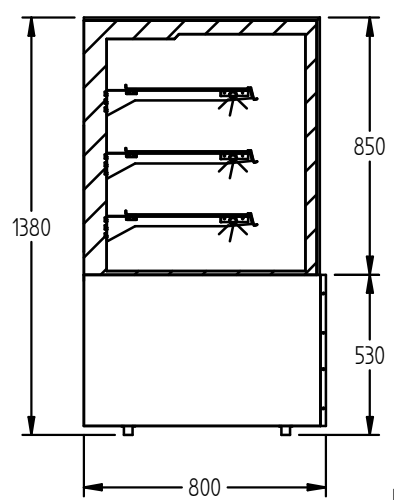
Aluminium door track with cold stop strip



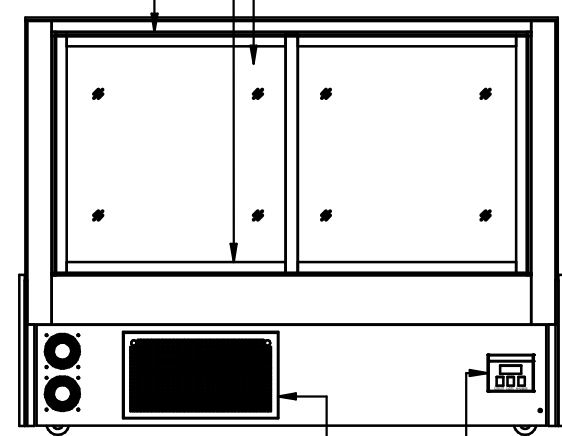
Front View



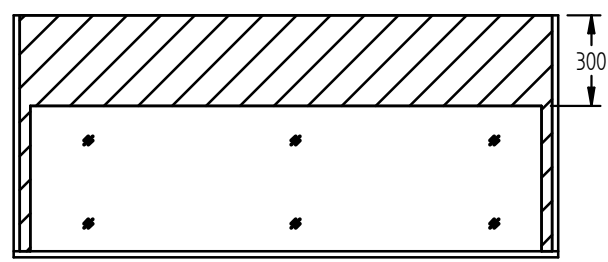
Section View



Side View



Back View



Top View

Technical Data:

1. Dimension: 1800*800*1380Hmm
2. Fan cooling
3. Temp: 2°C - 6°C
4. Base: 430, grain finished S/S, interior: 430 mirror S/S
5. LED light: white color 5000K, 12V
6. Coated glass: black
7. Power: 220V/50HZ, Australia plug
8. Shelving: 1 piece shelf, black coated. Includes LED
9. R134a/R404a refrigerant.

williams
REFRIGERATION AUST. PTY. LTD

This drawing and all copies produced remain the property of Williams Refrigeration and must not be copied or distributed by any third party without obtaining authorisation

UNLESS OTHERWISE STATED ALL DIMENSIONS IN MILLIMETERS. GENERAL TOLERANCES:

LINEAR +/-0.5
ANGULAR +/-1°

DRAWN: AJ

DATE: 28/07/23

CHECKED: E.B.

DRAFTING STANDARD AS 1100

MATERIAL: -

MODEL: HTGH18

TITLE: CAKE & FOOD DISPLAY 1800 WIDE, TALL VERSION

Location: -

DWG: HTGH18

REV	DESCRIPTION	DATE	BY
-	-	-	-