



A

B

C

D

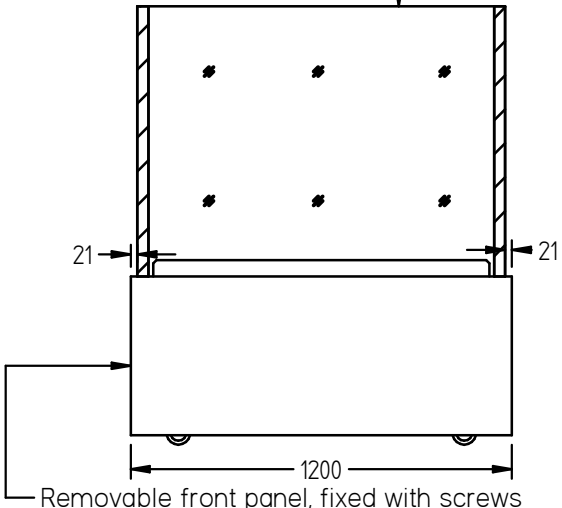
E

F

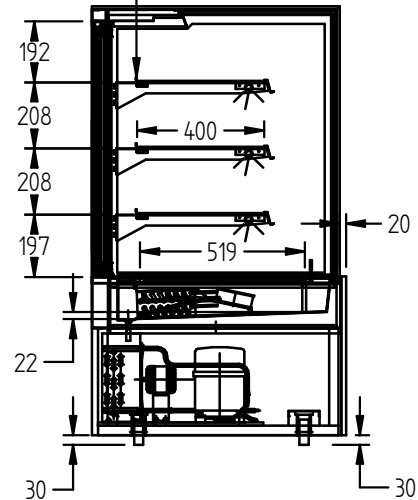
Top and front glass are mitre joined. 1 piece with heated film.

Upstand offers rear glass protection

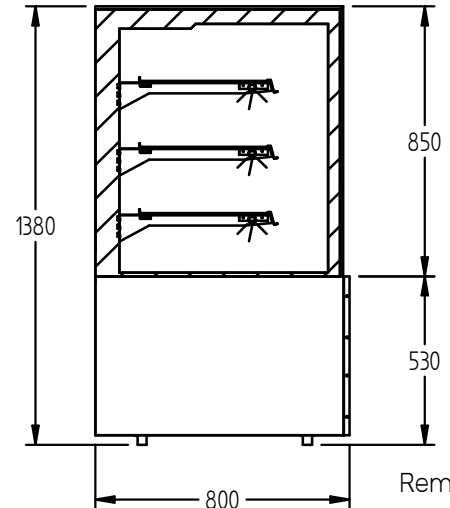
Aluminium door track with cold stop strip  
 Heated door frame, 36V  
 Sliding door: 2-layer Low-E glass



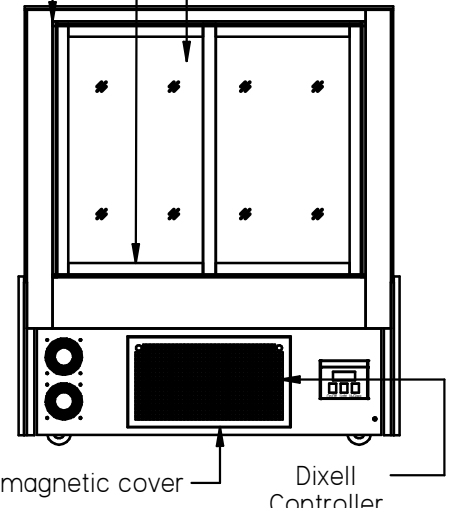
Front View



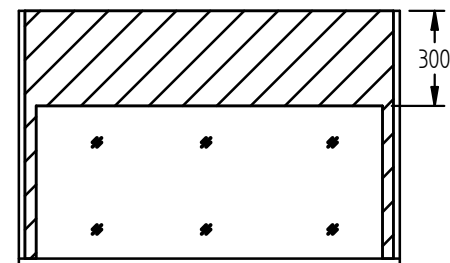
Section View



Side View



Back View



Top View

Technical Data:

1. Dimension: 1200\*800\*1380Hmm
2. Fan cooling
3. Temp: 2°C - 6°C
4. Base: 430, grain finished S/S, interior: 430 mirror S/S
5. LED light: white color 5000K, 12V
6. Coated glass: black
7. Power: 220V/50HZ, Australia plug
8. Shelving: 1 piece shelf, black coated. Includes LED
9. R134a/R404a refrigerant.

REV	DESCRIPTION	DATE	BY
-	-	-	-

**williams**  
 REFRIGERATION AUST. PTY. LTD  
 This drawing and all copies produced remain the property of Williams Refrigeration and must not be copied or distributed by any third party without obtaining authorisation

UNLESS OTHERWISE STATED ALL DIMENSIONS IN MILLIMETERS.  
 GENERAL TOLERANCES:  
 LINEAR +/-0.5  
 ANGULAR +/-1°

DRAWN:	AJ
DATE:	28/07/23
CHECKED:	E.B.
DRAFTING STANDARD	AS 1100

MATERIAL:	-	Location:	-
MODEL:	HTGH12		
TITLE:	CAKE & FOOD DISPLAY 1200 WIDE, TALL VERSION	DWG:	HTGH12