

0 1 2 3 4 5 6 7 8

A

B

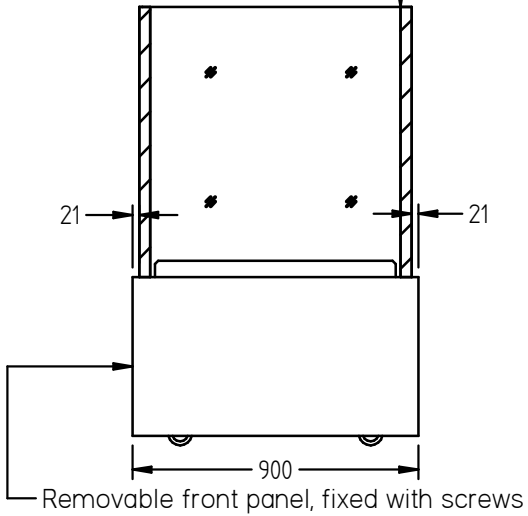
C

D

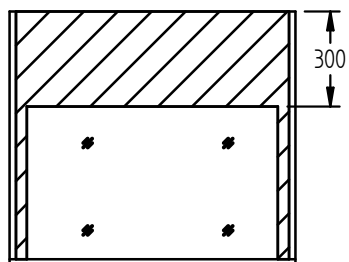
E

F

Top and front glass are mitre joined. 1 piece with heated film.

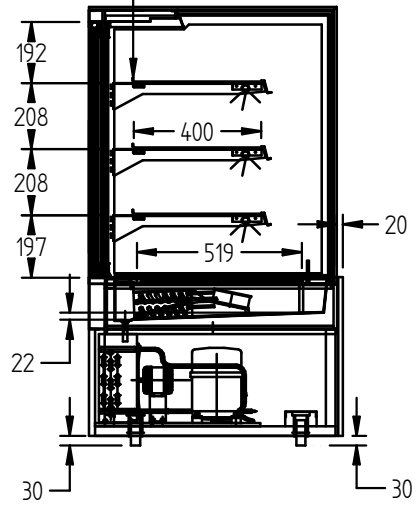


Front View



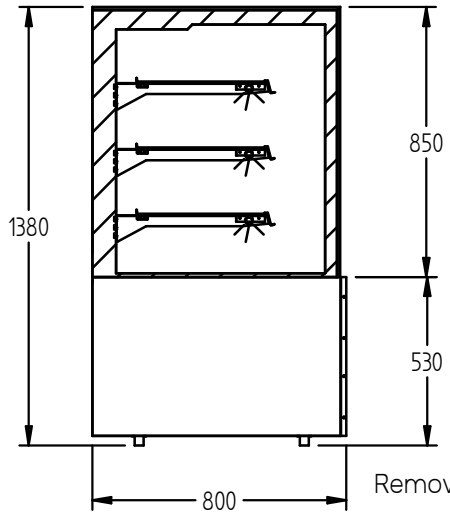
Top View

Upstand offers rear glass protection



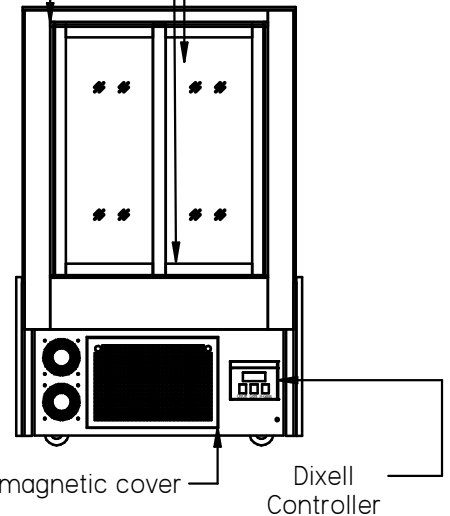
Section View

Aluminium door track with cold stop strip
Heated door frame, 36V



Side View

Sliding door: 2-layer Low-E glass



Back View

Technical Data:

1. Dimension: 900*800*1380Hmm
2. Fan cooling
3. Temp: 2°C - 6°C
4. Base: 430, grain finished S/S, interior: 430 mirror S/S
5. LED light: white color 5000K, 12V
6. Coated glass: black
7. Power: 220V/50HZ, Australia plug
8. Shelving: 1 piece shelf, black coated. Includes LED
9. R134a/R404a refrigerant.

williams
REFRIGERATION AUST. PTY. LTD

This drawing and all copies produced remain the property of Williams Refrigeration and must not be copied or distributed by any third party without obtaining authorisation

UNLESS OTHERWISE STATED ALL DIMENSIONS IN MILLIMETERS. GENERAL TOLERANCES:

LINEAR +/-0.5
ANGULAR +/-1°

DRAWN: **AJ**
DATE: **28/07/23**
CHECKED: **E.B.**
DRAFTING STANDARD AS 1100

MATERIAL: -
MODEL: **HTGH9**
TITLE: **CAKE & FOOD DISPLAY 900 WIDE, TALL VERSION**

Location: -
DWG: **HTGH9**

REV	DESCRIPTION	DATE	BY
-	-	-	-