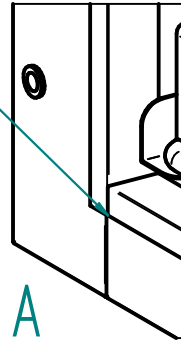
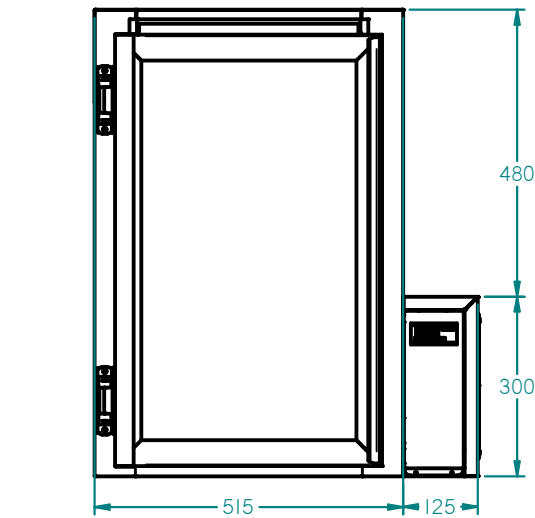


PLASTIC BREAKING STRIP

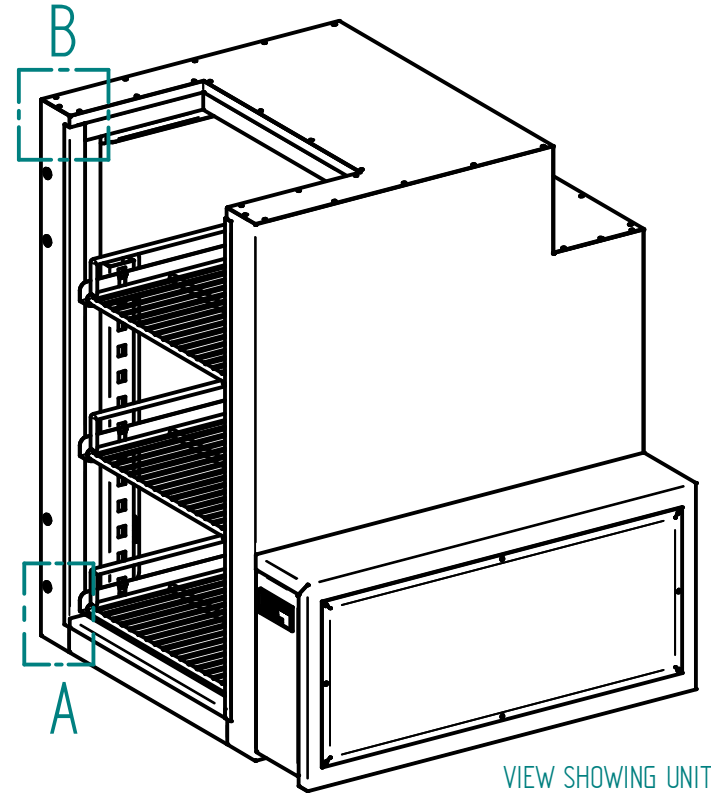
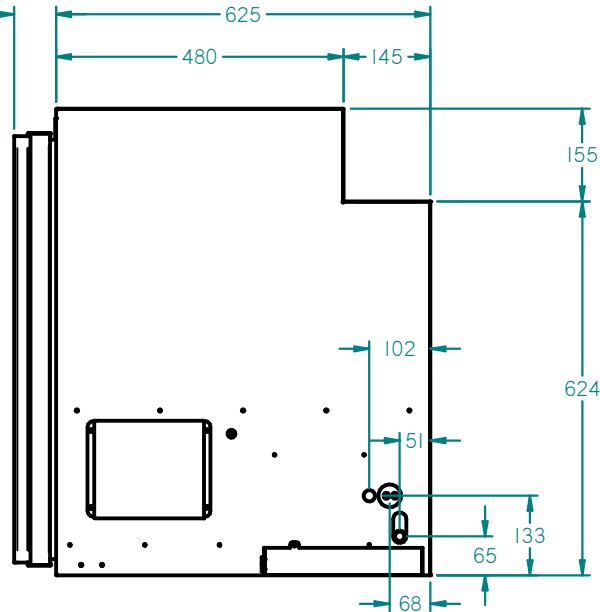


DETAIL A

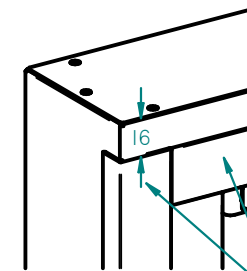
VIEW WITH SIDE HOUSING OMITTED FOR CLARITY  
PIPE EXITS SHOWN



70  
(REF)



VIEW SHOWING UNIT  
WITHOUT DOOR & HINGES



DETAIL B

PLASTIC BREAKING STRIP

**williams**

REFRIGERATION AUST. PTY. LTD

This drawing and all copies produced remain the property of Williams Refrigeration and must not be copied or distributed by any third party without obtaining authorisation

UNLESS OTHERWISE STATED ALL DIMENSIONS IN MILLIMETERS.  
GENERAL TOLERANCES:

LINEAR +/-0.5  
ANGULAR +/-1°

DRAWN: **AJ**

DATE: **05/09/22**

CHECKED: **E.B.**

DRAFTING STANDARD  
AS 1100



MATERIAL: **SS 4622**

MODEL: **FGC1-R-LH**

TITLE: **GLASS CHILLER  
RH SERVICE, LH HINGE**

Location: -

DWG: **FGC1-R-LH-625**

FILE LOCATION: \\\

2	DEPTH REDUCED FROM 680mm. NOW 625mm	31.01.2023	AJ
1	DEPTH REDUCED FROM 700mm. NOW 680mm	13.10.2020	AJ
REV	DESCRIPTION	DATE	BY